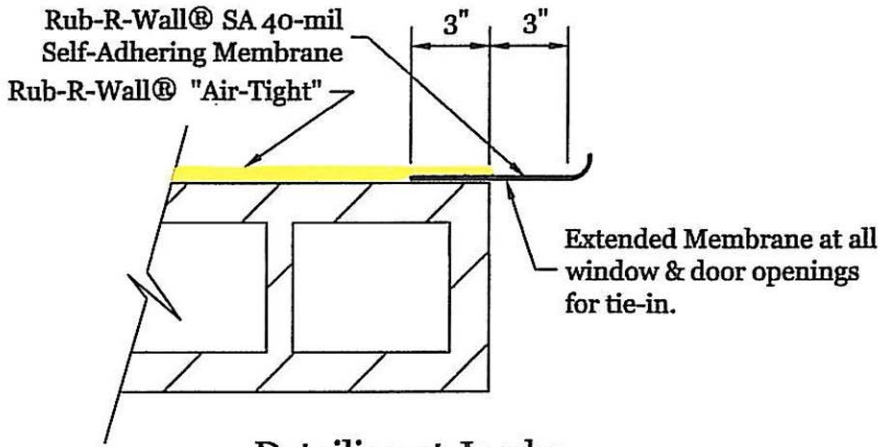
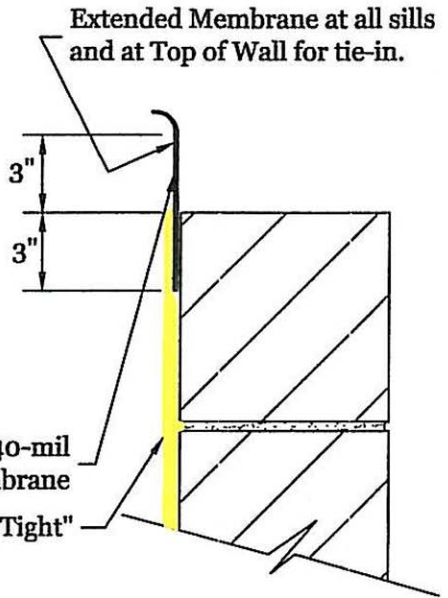


Rub-R-Wall Airtight

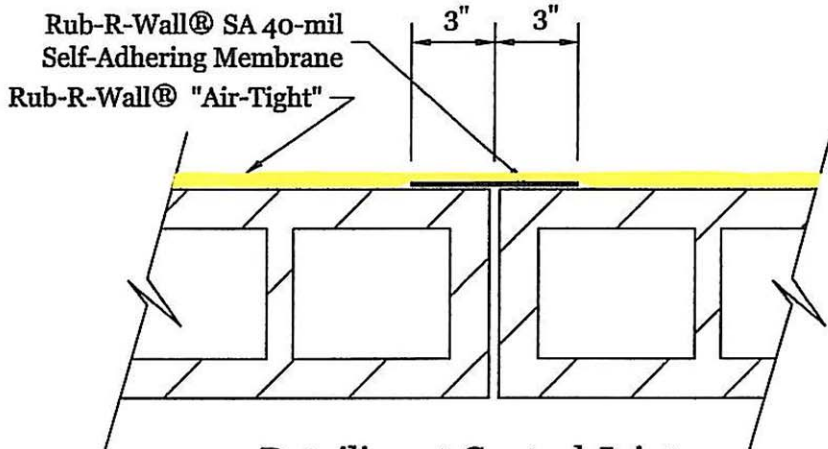
Rub-R-Wall Airtight VP



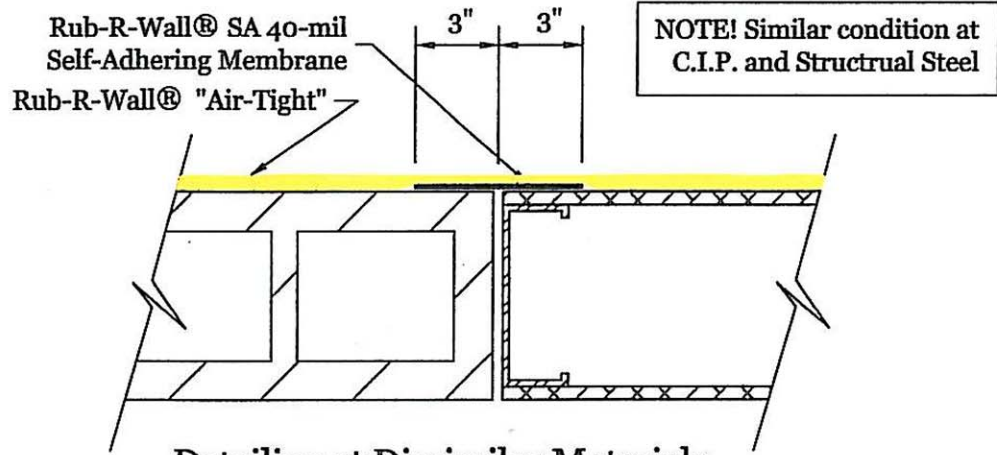
Detailing at Jambs



Detailing at Sills and Top of Wall



Detailing at Control Joints



Detailing at Dissimilar Materials