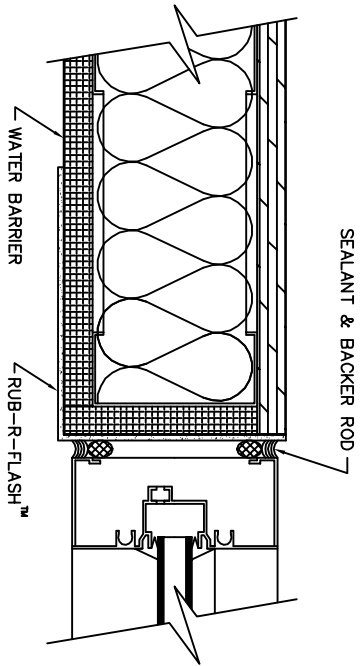
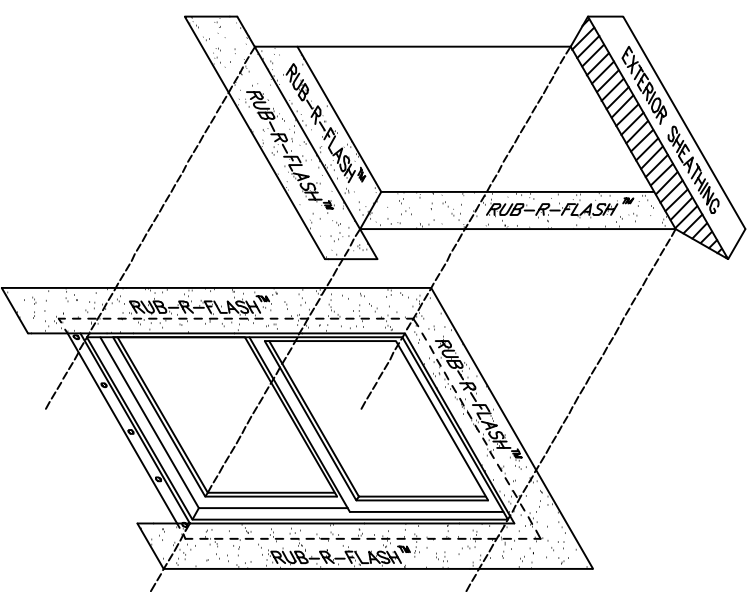


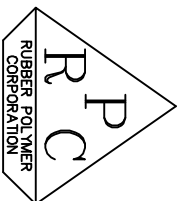
ASSEMBLED WINDOW



DETAIL -- A



RUB-R-FLASH™ APPLICATION



RUBBER POLYMER CORPORATION

1135 W. Portage Trail
 Akron, Oh 44313-8283
 Phone: (800) 860-7721
 Fax: (330) 945-9416
 WWW.RPCINFO.COM